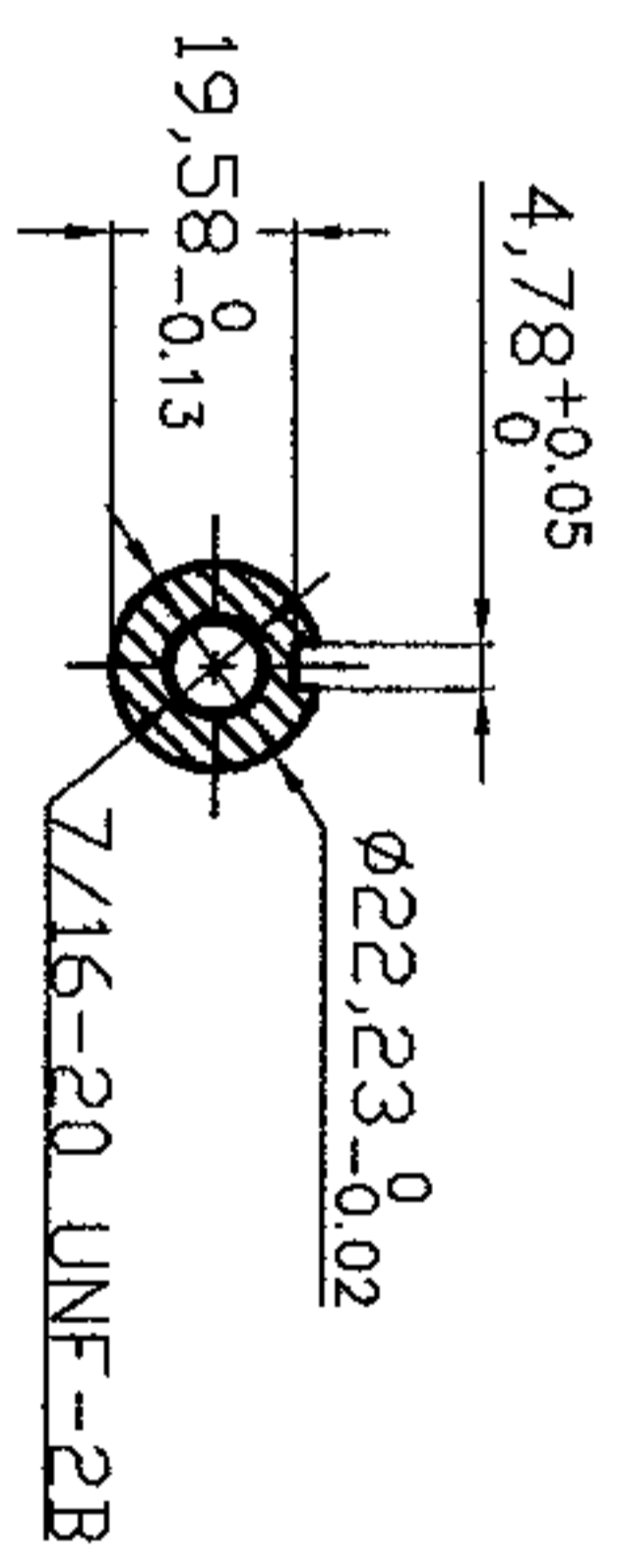


表制4-3/8-16 粗19  
3/8-16 TAP  
19mm DP (<math>\langle 4 \rangle HL'S</math>)

A-A



- NOTES:
1. CCW
  2. Front bearing: NTN6006 LLUC3/5K (Made in Japan)
  3. Product to be shipped in plain white box, styrofoam packaging Include Dyno Plot in box.
  4. Box to be marked:  
Date Code: XXXXXXXX  
Part Number: ME  
Made in China