



**Purpose: EXRAY install onto ClubCar 850-G (Gas) vehicles.**

Instructions Author: EDT LLC, Tony Thorne  
 Date: December 26, 2012 (Rev B, April-06-2013)

The CC-XRT-850G uses a different heavy duty wheel hub than other standard carts. These instructions show how to mount the EXRAY 10MM speed sensor bolt mounting with one drilled hole.

**NOTE:** If your vehicle hub looks different than these pictures – check the EXRAY Operators Manual, your vehicle may have standard hubs!

**CAUTION:**

**When drilling into the HUB assembly does NOT require removing the wheel hub assembly.**

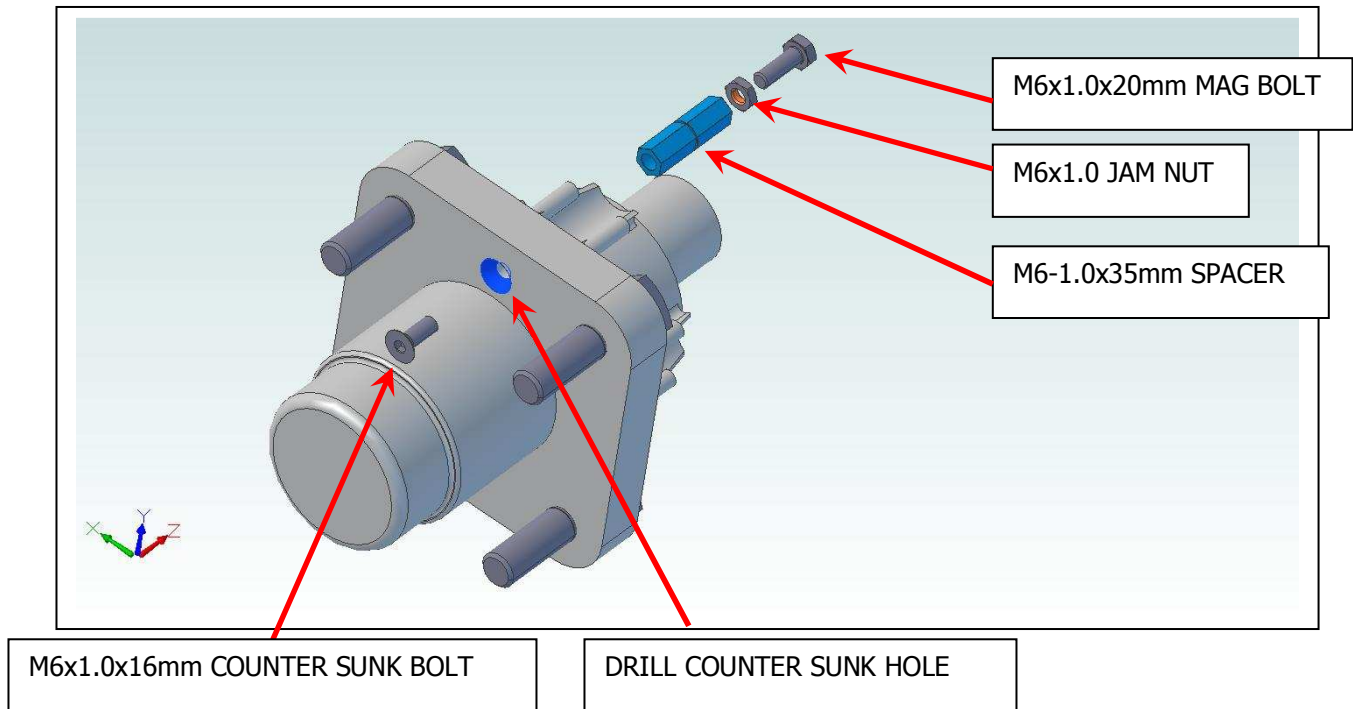
**Use caution when supporting the vehicle on jack stands and wear eye protection at all times.**

**After drilling the mounting hole ensure to properly clean the axle stub to prevent shavings from damaging the bearing seals.**



**Step ONE:**

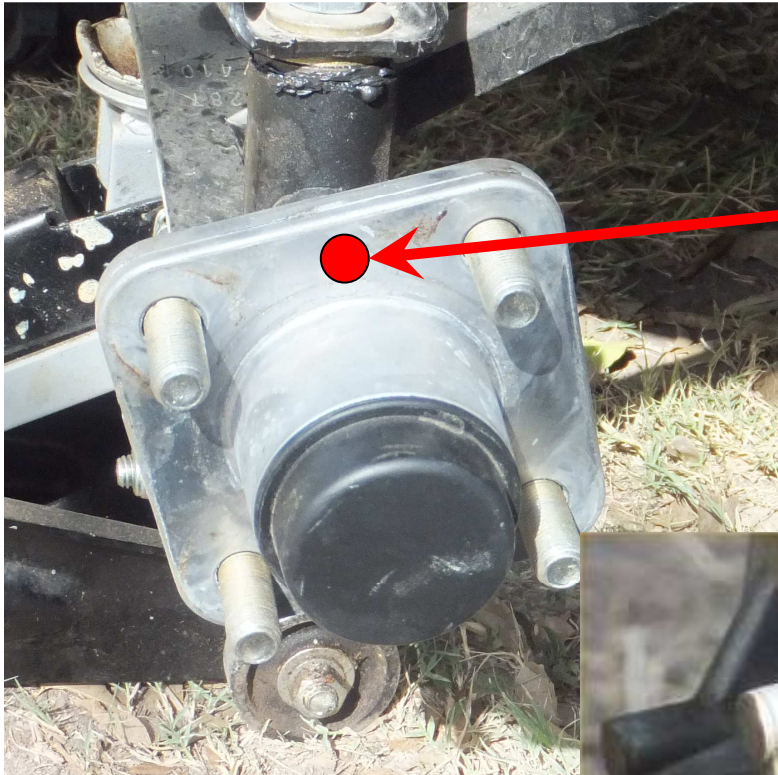
- Jack the vehicle and place onto jack stands.
- Remove DRIVERS Wheel



**REAR THESE ENTIRE INSTRUCTIONS BEFORE STARTING THE PROJECT**

**Step TWO:**

- Drill a THROUGH hole 0.250" (6.5mm) through the CENTER of the REAR POST HOLE.
- Drill **JUST DEEP ENOUGH** to create a COUNTER SUNK hole in the face using a 7/16" or 11/16" (11-12mm) Drill bit to clear the 6MMx16mm COUNTER SUNK bolt head.



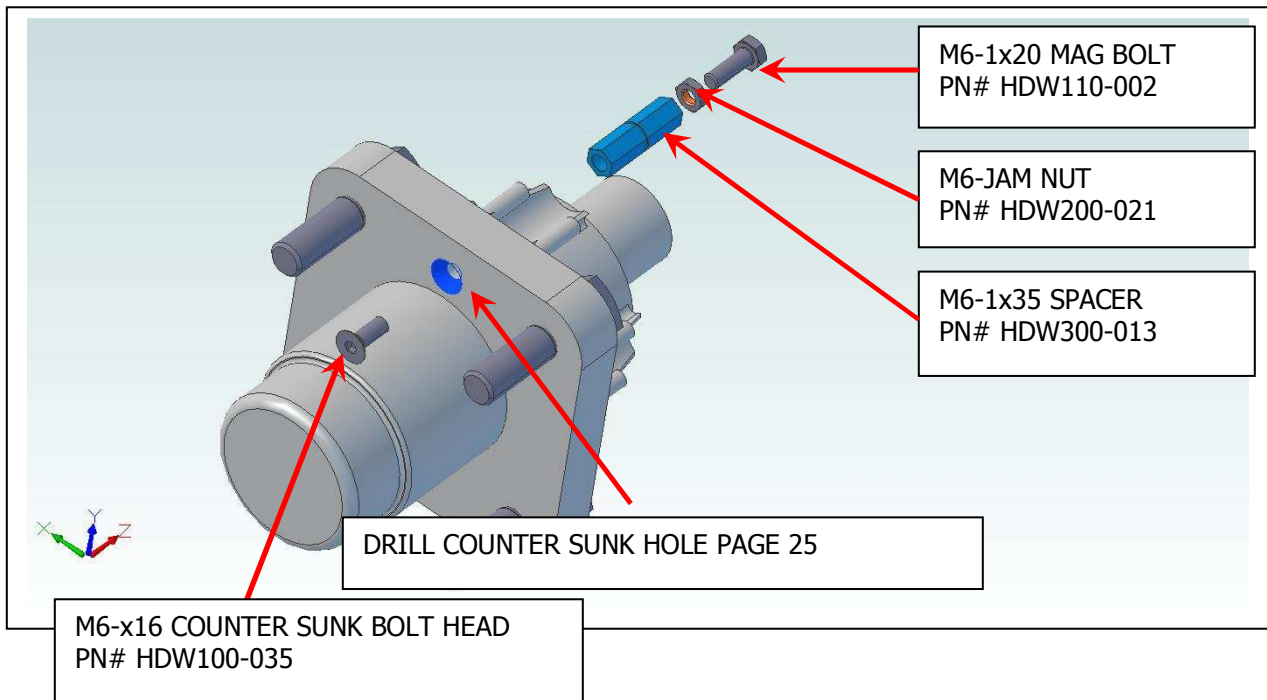
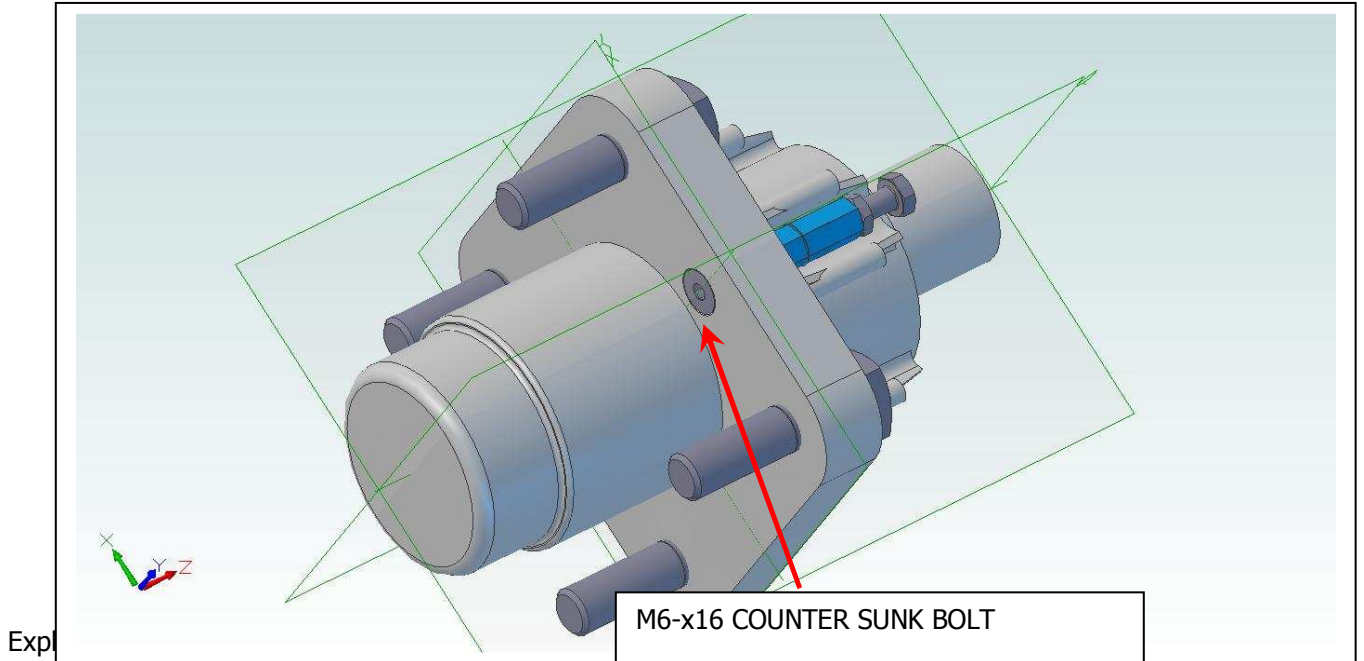
Drill countersunk hole in CENTER of "REAR post hole"



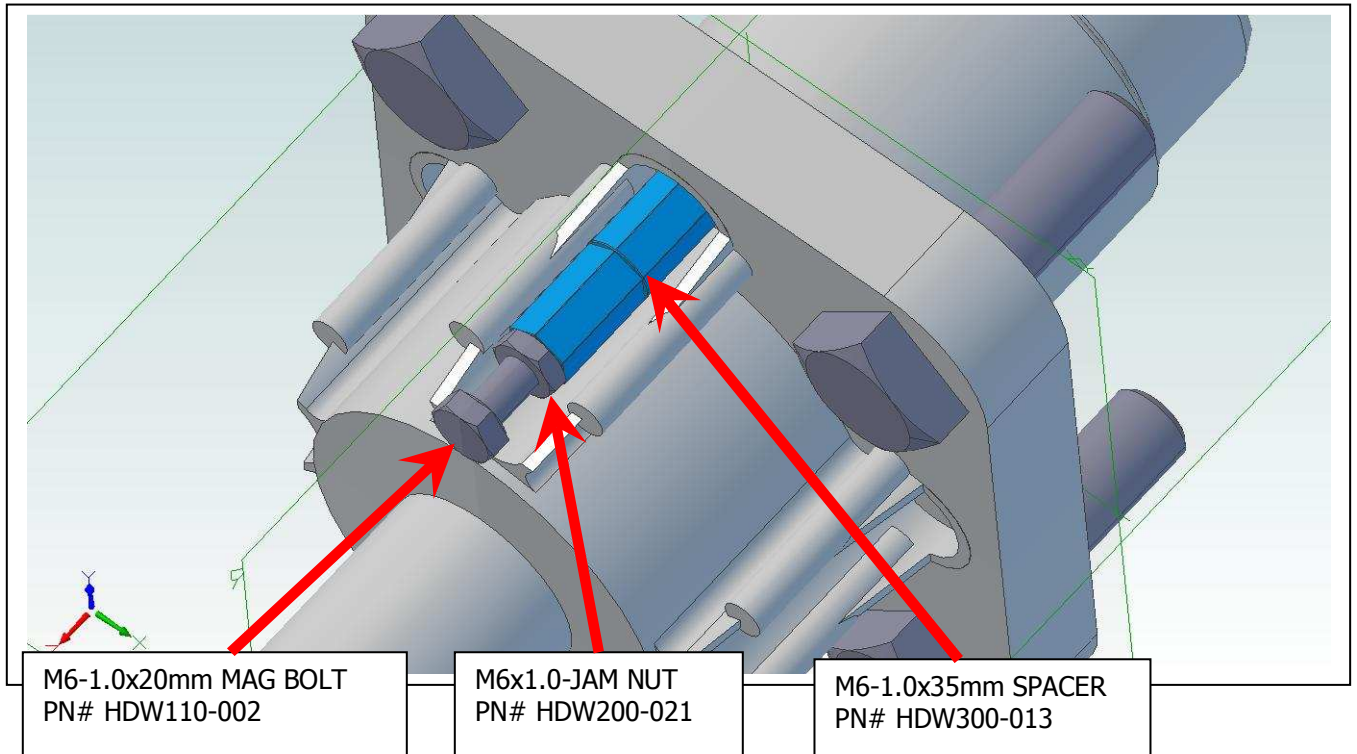
**Step THREE:**

**This is a 3D CAD file generated for illustrations purposes.**

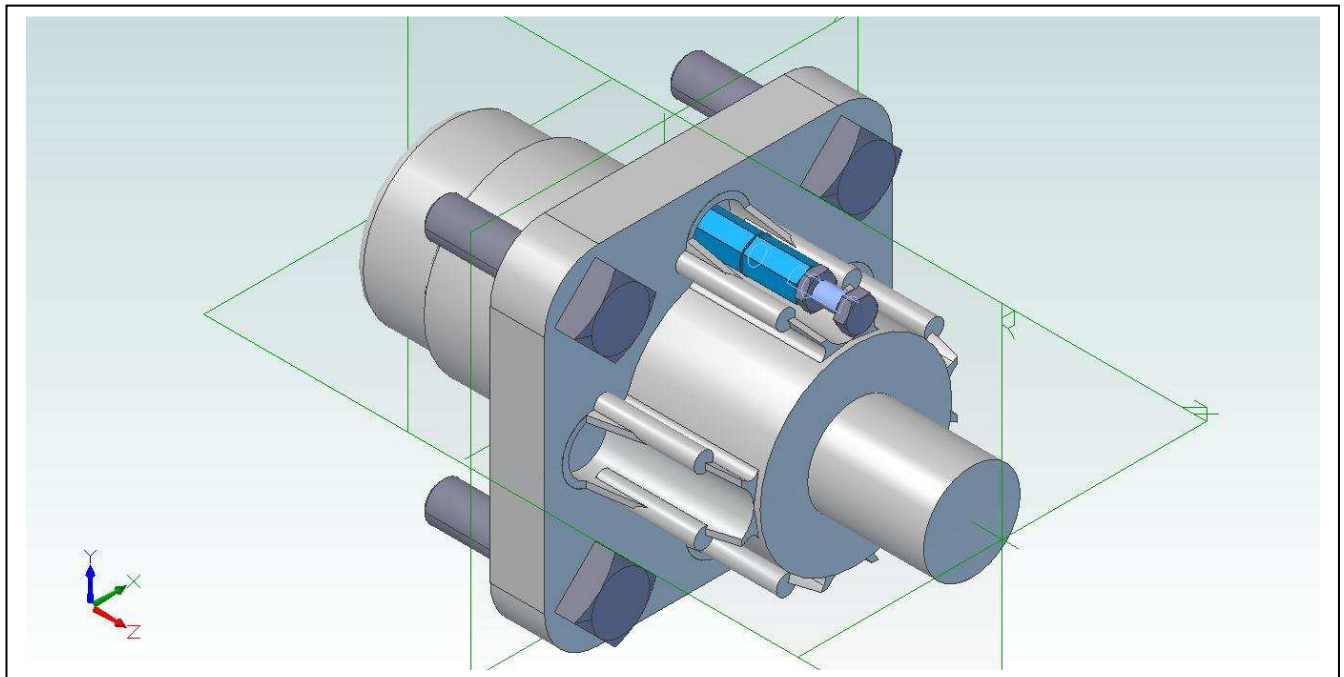
- Install the M6x16mm Countersunk bolt into the 6MM HEX spacer assembly.
- Use the JAM nut onto the M6 MAGNET bolt. The JAM nut locates the magnet bolt head to the proper distance fro the 10MM Bolt sensor Cable.
- **Do not over-torque the M6 metric MAGNETIC bolt, it will break!** Tighten the jam nut using a wrench on the M6 SPACER that way no force is on the magnet hex head.



Assembled View:



Finished Installation:

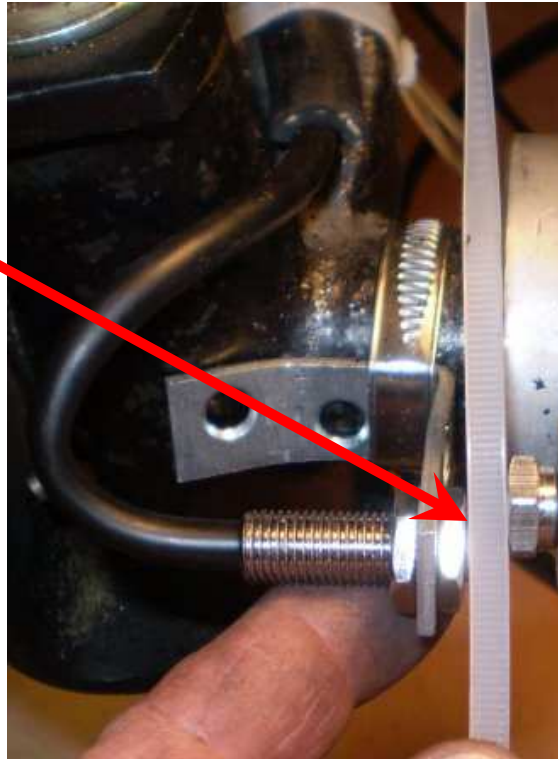


**Step FOUR:**

**Assemble the 10MM SENSOR Cable as shown on page 23 of the EXRAY Operators Manual using the clamp and 90° bracket.**

- **Zip tie the sensor cable to ensure no pinch points, slowly rotate the steering wheel LOCK LEFT to full LOCK RIGHT and verify the cable it not stretched or pinched.**
  - **This is crucial step before driving the vehicle!**
- Install the wheel and tighten wheel nuts to manufacturer specifications.
- Ensure speed sensor cable does not rub tire at steering wheel full left lock to full right lock positions.

Clamp sensor cable around axle shaft like shown on page 23 of your EX-RAY operators manual, space BETWEEN SENSOR AND MAGNET with a zip tie (1/4") for proper clearance gap. (!!!)



**WARNING ! IMPROPER INSTALLATION OF THE CABLE CAN CAUSE STEERING ISSUES AND SAFETY HAZARDS.**

**> PROCEED TO THE EX-RAY OPERATORS MANUAL FOR SETUP <**

If there are any questions, please contact me (Author: Tony Thorne) through email: [tony@energydesigntek.com](mailto:tony@energydesigntek.com)

Thank you for your business and hope you enjoy your EXRAY.

Tony Thorne  
EDT LLC

PROJECT: #1204  
Rev B: Corrected text, added PN on 4-07-2013 TT